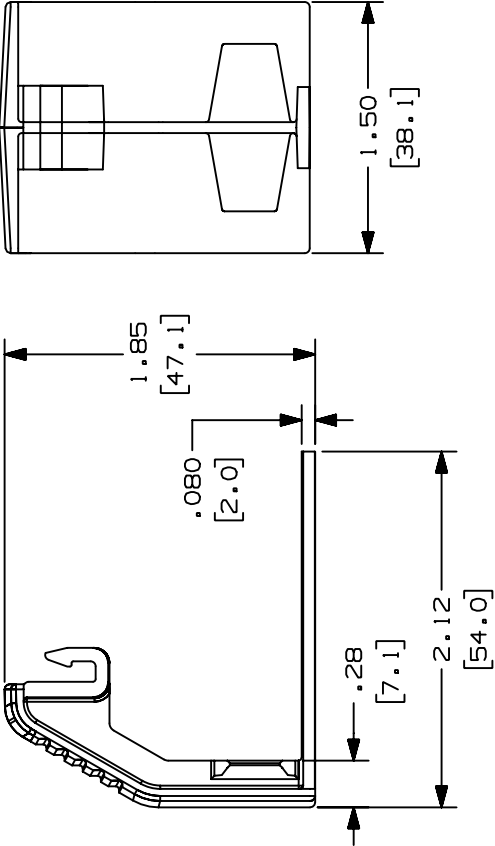


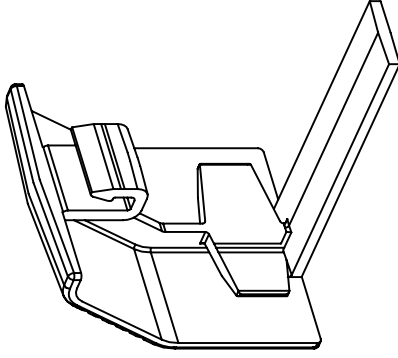
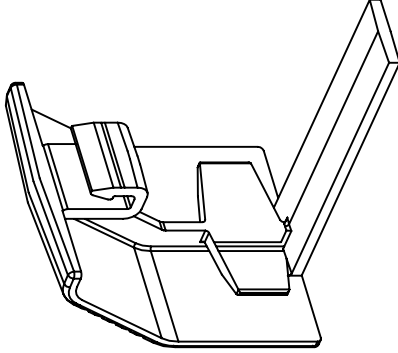
THIS COPY IS PROVIDED ON A RESTRICTED BASIS AND IS NOT TO BE USED IN ANY WAY DETRIMENTAL TO THE INTERESTS OF PANDUIT CORP.



PANDUIT P/N	WEIGHT
T70BC	1.95 LBS/10 PCS. (889g/10 PCS.)



- NOTES:
- SEE CURRENT CATALOG FOR ADDITIONAL PART SUFFIXES TO INDICATE COLOR AND OR PACKAGE QUANTITY.
 - THIS PRODUCT IS INTENDED TO BE USED WITH PANDUIT TYPE T-70 RACEWAY.
 - DIMENSIONS IN PARENTHESIS ARE IN METRIC.
 - T70BC CONSISTS OF (2) T70CB FITTINGS.



CAD FILENAME/LAYERS D35541BU_T70CB_C_02.PRT

PANDUIT CORP. TINLEY PARK, ILLINOIS

T-70 BASE COUPLER (T70BC)
CUSTOMER DRAWING

UNLESS OTHERWISE SPECIFIED, DIMENSIONAL TOLERANCES ARE: (.X) ± (.XX) ± ANGLES ±	SCALE NONE		UNLESS OTHERWISE SPECIFIED, ALL DIMENSIONS ARE GIVEN IN INCHES, THIRD ANGLE PROJECTION.	
	DRAWN BY JBA	MAT'L: PVC	DRAWING NO. 35541-22	DWG SIZE A
DATE 09-10-96	CHECKED BY CEF	CUST SUP	ECN	DESCRIPTION
REV	DATE	BY	CHK	DESCRIPTION
R	09-10-96	JBA	CEF	RELEASED TO PRODUCTION
1	09-30-96	JBA	CEF	DRAWING REVISED AND REDRAWN
2	01-26-00	M50	H1W	A. REVISED DRAWING TITLE, T-70 WAS T70 B. PVC WAS ABS/POLYCARBONATE C. 1.95 LB (889g) WAS 1.78 LB (809.1g) D. RENUMBERED DRAWING NOTES
-				